

PERFBOARD/TACKBOARD RENTAL ORDER FORM

Please Mail or Fax Completed Form to: AEX Convention Services
 3089 English Creek Ave., Egg Harbor Township, NJ 08234
 Fax: (609) 272-1680 • Phone: (609) 272-1600
 www.aexservices.com

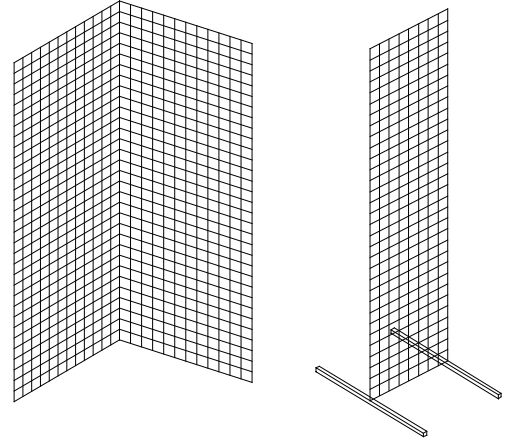
Show Name: MID ATLANTIC HARDSCAPING TRADE SHOW 2012

Show Dates: FEBRUARY 7-8, 2012

Deadline Date To Receive Discounted Rates: JANUARY 30, 2012

GRID WALL

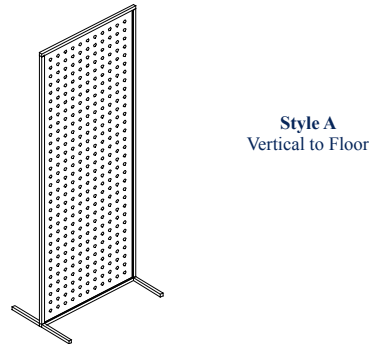
Each Panel is 2' x 8' with a 3" x 3" grid.
 At least two panels are needed to be free standing without the use of feet.
 Feet must be rented to have individual (2' x 8') free standing units.
 Feet are supplied attached to each free standing unit.



Description	Discount	Standard		Total
_____ 2' x 8'	\$75.25	\$105.25	each =	\$ _____
_____ Pair of feet	\$30.25	\$42.25	each =	\$ _____

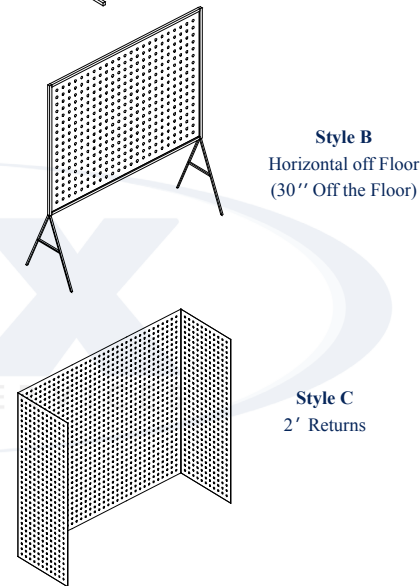
WHITE PERF BOARD *(Shown on the right)*

Description	Discount	Standard	Qty.	Total
Style A - 2' w x 8' h Panel	\$97.50	\$136.50	_____	\$ _____
Style A - 4' w x 8' h Panel	\$142.00	\$198.75	_____	\$ _____
Style B - 8' w x 2' h Panel	\$97.50	\$136.50	_____	\$ _____
Style B - 8' w x 4' h Panel	\$142.00	\$198.75	_____	\$ _____
Style C - 10' w x 8' h Panel	\$576.25	\$806.75	_____	\$ _____
Perf Board Shelving 4' long	\$30.25	\$42.25	_____	\$ _____



WHITE TACK BOARD *(Not displayed)*

Description	Discount	Standard	Qty.	Total
Style A - 2' w x 8' h Panel	\$97.50	\$136.50	_____	\$ _____
Style A - 4' w x 8' h Panel	\$142.00	\$198.75	_____	\$ _____
Style B - 8' w x 2' h Panel	\$97.50	\$136.50	_____	\$ _____
Style B - 8' w x 4' h Panel	\$142.00	\$198.75	_____	\$ _____
Style C - 10' w x 8' h Panel	\$576.25	\$806.75	_____	\$ _____



SUBTOTAL GRID WALL, PERF BOARD & TACK BOARD ORDER: \$ _____

YES, I have completed and enclosed the Authorization and Agreement to Terms and Conditions Form and I understand that all orders are subject to New Jersey State Sales tax 7%.